

GOD'S GLORY THROUGH NATURE'S BEAUTY

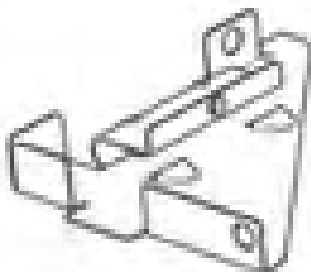
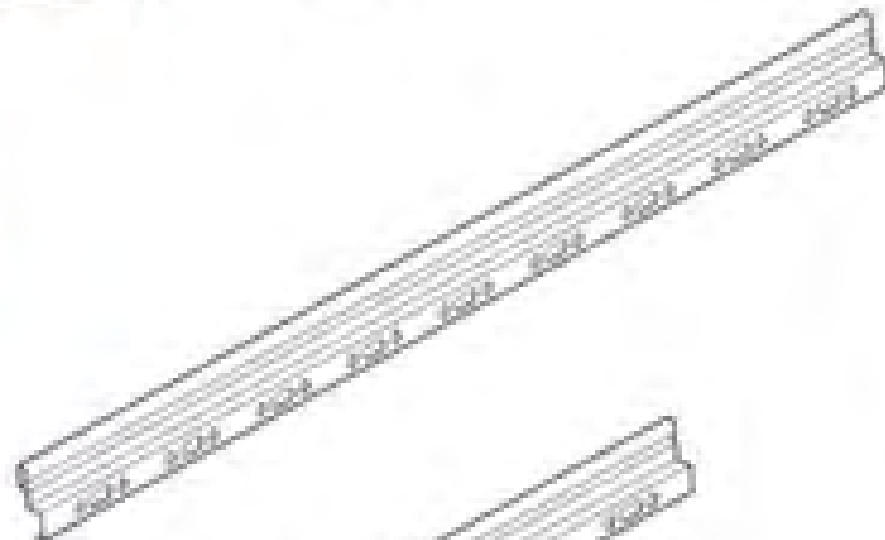


**SUPER  
NATURAL**

*exploring the psalms*



# EKET

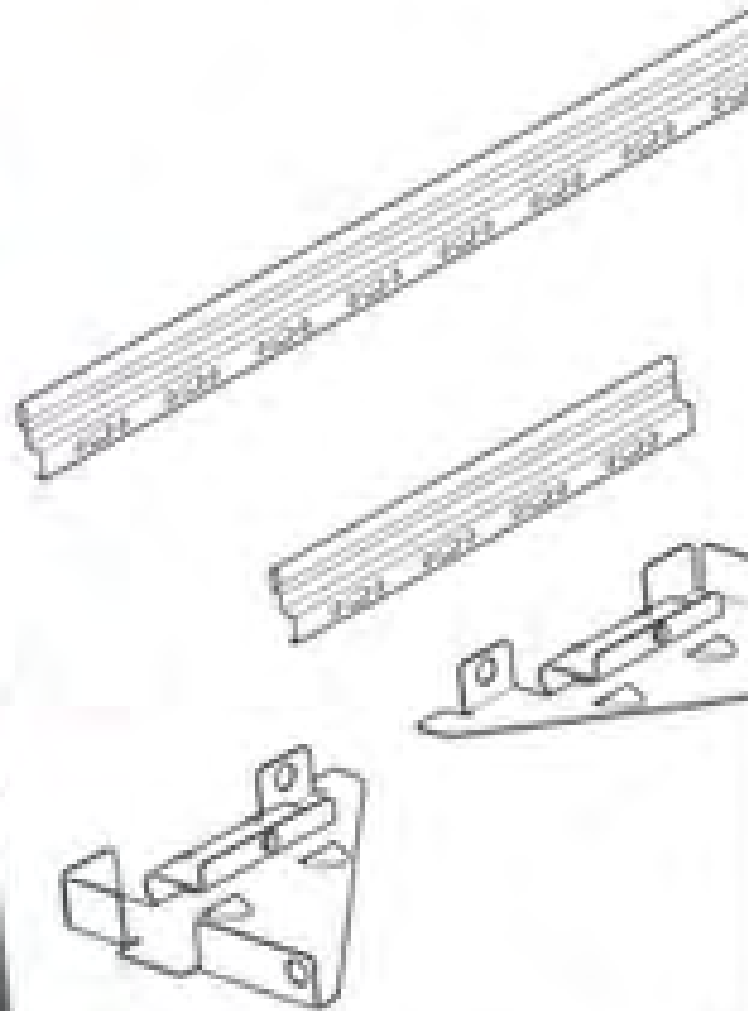


SMÅGRUPP  
ALLT I HANDEL

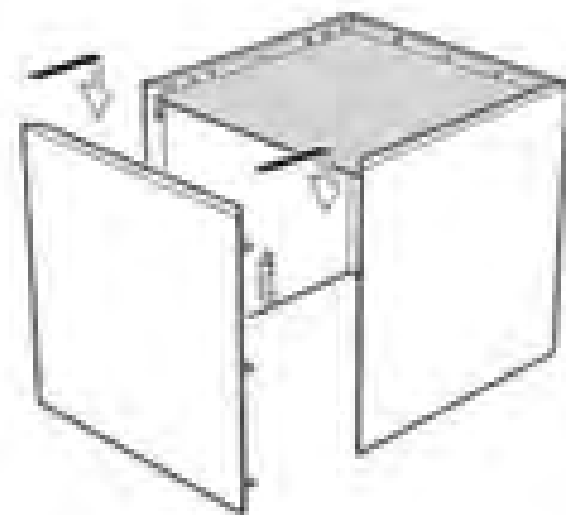
PSALM 19

**SUPER**  
NATURAL

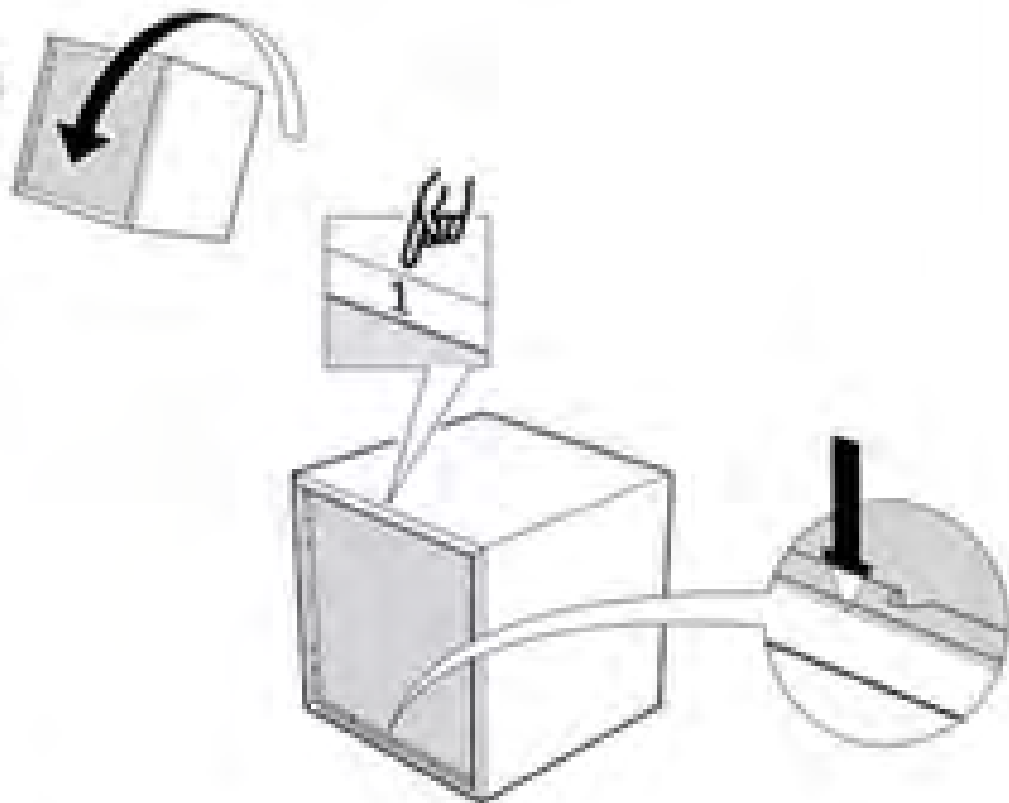
# EKET



5



6





<sup>1</sup> The heavens declare the glory of God,  
and the sky above proclaims his handiwork.

<sup>2</sup> Day to day pours out speech,  
and night to night reveals knowledge.

PSALM 19

---

**1. THE VOICE OF THE STARS**

**SUPER  
NATURAL**

<sup>3</sup> There is no speech, nor are there words,  
whose voice is not heard.

<sup>4</sup> Their voice goes out through all the earth,  
and their words to the end of the world.

PSALM 19

---

**1. THE VOICE OF THE STARS**

**SUPER  
NATURAL**



<sup>4</sup> In them he has set a tent for the sun,  
<sup>5</sup> which comes out like a bridegroom  
leaving his chamber,  
and like a strong man,  
runs its course with joy.

PSALM 19

---

**1. THE VOICE OF THE STARS**

**SUPER  
NATURAL**

<sup>6</sup> Its rising is from the end of the heavens,  
and its circuit to the end of them,  
and there is nothing hidden from its heat.

PSALM 19

---

**1. THE VOICE OF THE STARS**

**SUPER**  
NATURAL





ATION

PSALM 19

**SUPER**  
NATURAL





PSALM 19

**SUPER**  
NATURAL





**PSALM 19**

**SUPER  
NATURAL**



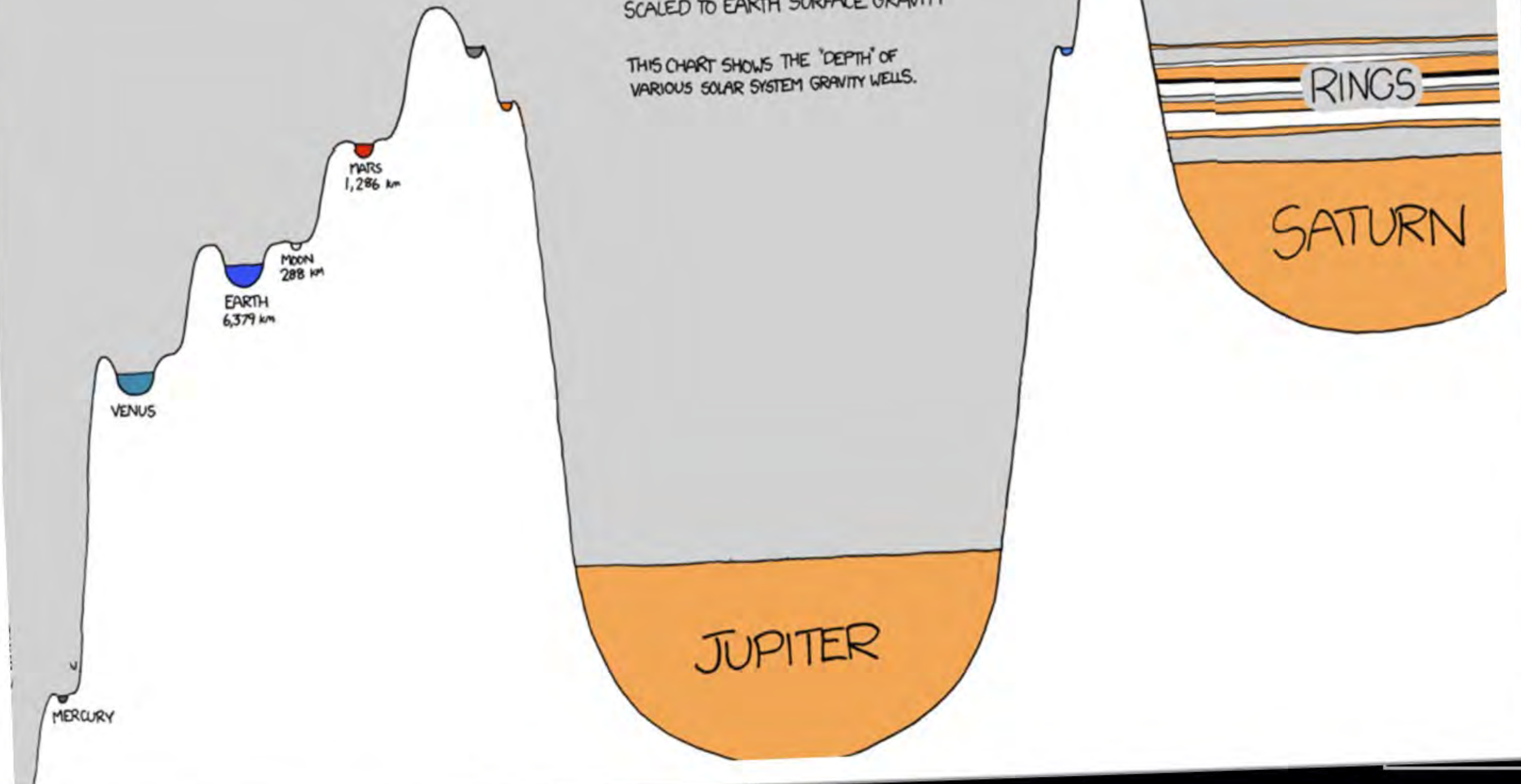




# GRAVITY WELLS

SCALED TO EARTH SURFACE GRAVITY

THIS CHART SHOWS THE 'DEPTH' OF  
VARIOUS SOLAR SYSTEM GRAVITY WELLS.



SUN

GRAVITY WELLS

THE DEEPER THE GRAVITY WELL

THE MORE MASSIVE THE OBJECT

JUPITER

SATURN

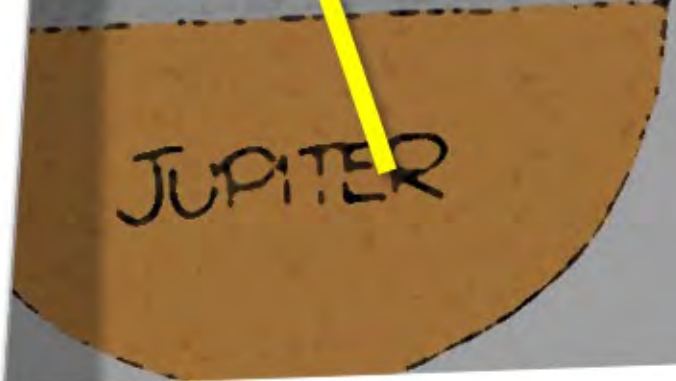
RINGS





SUN

GRAVITY WELLS  
OF VARYING DEPTHS  
AND WIDTHS  
ARE FOUND IN  
THE UNIVERSE



JUPITER



SATURN

RINGS

*“For the scientist who has lived by his faith in the power of reason, the story ends like a bad dream. He has scaled the mountains of ignorance, he is about to conquer the highest peak; as he pulls himself over the final rock, he is greeted by a band of theologians who have been sitting there for centuries.”*

ROB JASTROW

---

## 1. THE VOICE OF THE **STARS**

**SUPER**  
NATURAL



<sup>7</sup> The law of the LORD is perfect,  
**reviving** the soul;  
the testimony of the LORD is sure,  
**making wise** the simple;

PSALM 19

---

**2. THE VOICE OF THE SCRIPTURES**

**SUPER  
NATURAL**



<sup>8</sup> the precepts of the LORD are right,  
**rejoicing** the heart;  
the commandment of the LORD is pure,  
**enlightening** the eyes;

PSALM 19

---

**2. THE VOICE OF THE SCRIPTURES**

**SUPER  
NATURAL**

<sup>9</sup> the fear of the LORD is clean,  
**enduring** forever;  
the rules of the LORD are **true**,  
and righteous altogether.

PSALM 19

---

**2. THE VOICE OF THE SCRIPTURES**

**SUPER**  
NATURAL



**<sup>10</sup> More to be desired are they than gold,  
even much fine gold;  
sweeter also than honey  
and drippings of the honeycomb.**

**<sup>11</sup> Moreover, by them is your servant warned;  
in keeping them there is great reward.**

PSALM 19

---

**2. THE VOICE OF THE SCRIPTURES**

**SUPER  
NATURAL**

*He does not deal with us according to our sins,  
nor repay us according to our iniquities.  
For as high as the heavens are above the earth,  
so great is his steadfast love toward those who fear him.*

PSALM 103

---

## **2. THE VOICE OF THE SCRIPTURES**

**SUPER  
NATURAL**



**12 Who can discern his errors?**

**Declare me innocent from hidden faults.**

**13 Keep back your servant also  
from presumptuous sins;**

PSALM 19

---

**3. THE VOICE OF THE SAINTS**

**SUPER  
NATURAL**

**13** let them not have dominion over me!

Then I shall be blameless,  
and innocent of great transgression.

PSALM 19

---

**3. THE VOICE OF THE SAINTS**

**SUPER  
NATURAL**



**14** Let the words of my mouth  
and the meditation of my heart  
be acceptable in your sight,  
**O LORD, my rock and my redeemer.**

PSALM 19

---

**3. THE VOICE OF THE SAINTS**

**SUPER  
NATURAL**