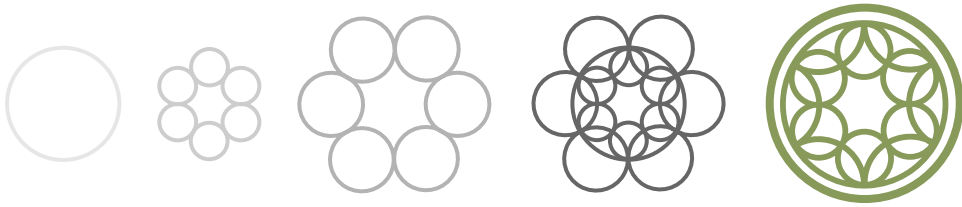




NEW CITY
presbyterian church

JUNE 19, 2022

WELCOME TO NEW CITY PRESBYTERIAN CHURCH



New City is a collection of people of all ages and professions, from a wide variety of spiritual and social backgrounds. We embrace Jesus' claims to be true and transformational. We also believe the central message of the Bible is the good news, or "gospel," of a God who created us for Himself and desires us to live fully as we enjoy relationship with Him and with each other.

The Bible's radical message of grace centers on Jesus and creates a new city comprised of renewed individuals living not for themselves but for the God who redeems. For this reason, New City exists to be a community rooted in truth, real in conversation, and hopeful for deep renewal in our lives and our city.

It is our privilege to welcome you and to invite you to be astonished, together with us, by the splendor and grace of God.

New City Session

Jeff Ammons	(313) 938-4581	jeff.ammons@newcitypc.org
Scott Cairo	(313) 908-3054	scott.cairo@newcitypc.org
Oliver Jeromin	(505) 803-5280	oliver.jeromin@newcitypc.org
Mark Krieg	(248) 463-8844	mark.krieg@newcitypc.org
Ken Reynolds	(248) 808-8360	ken.reynolds@newcitypc.org



NEW CITY VISION & VALUES

To be a people in awe of God, made new by the gospel, for the sake of people throughout our city, the nations, and the generations to come.

Our vision leads us to hold closely three values that shape our life and ministry as a church:

ROOTED CONVICTION in the truths of God's Word

REAL CONVERSATION as we engage the gospel, culture, and each other

RENEWAL OF THE CITY as we live and do life in relationship with God

God always comes to us before we can come to Him. Biblical worship is a response to God's gracious revelation of Himself, calling us to worship.



CALL TO WORSHIP

Colossians 1:15-16

¹⁵ He is the image of the invisible God, the firstborn of all creation. ¹⁶ For by him all things were created, in heaven and on earth, visible and invisible, whether thrones or dominions or rulers or authorities—all things were created through him and for him.

GATHERING HYMN

How Great Thou Art
Carl Gustav Boberg, Stuart K. Hine.
© 1949, Stuart Hine Trust

O Lord, my God, when I in awesome wonder
Consider all the works Thy hand hath made,
I see the stars, I hear the mighty thunder,
Thy power throughout the universe displayed;

*Then sings my soul, my Savior God, to Thee:
How great Thou art, how great Thou art!
Then sings my soul, my Savior God, to Thee:
How great Thou art, how great Thou art!*

But when I think that God, His Son not sparing,
Sent Him to die, I scarce can take it in,
That on the cross, my burden gladly bearing,
He bled and died to take away my sin;

When Christ shall come, with shout of acclamation,
And take me home, what joy shall fill my heart!
Then I shall bow in humble adoration
And there proclaim, "My God, how great Thou art!"

PRAYER OF ADORATION

The Prayer of Adoration is a praiseful pondering of the attributes and works of God, intended to draw our hearts closer to Him, in awe.

HYMN OF PRAISE

Christ Our Hope In Life And Death

Jordan Kauflin, Keith Getty, Matt Boswell, Matt Papa, Matthew Merker.

© Getty Music Hymns and Songs.

CCLI #7147502

What is our hope in life and death?
Christ alone, Christ alone.
What is our only confidence?
That our souls to Him belong.
Who holds our days within His hand?
What comes, apart from His command?
And what will keep us to the end?
The love of Christ, in which we stand.

*O sing hallelujah!
Our hope springs eternal;
O sing hallelujah!
Now and ever we confess
Christ our hope in life and death.*

What truth can calm the troubled soul?
God is good, God is good.
Where is His grace and goodness known?
In our great Redeemer's blood.
Who holds our faith when fears arise?
Who stands above the stormy trial?
Who sends the waves that bring us nigh
Unto the shore, the rock of Christ?

Unto the grave, what shall we sing?
"Christ, He lives; Christ, He lives!"
And what reward will heaven bring?
Everlasting life with Him.
There we will rise to meet the Lord,
Then sin and death will be destroyed,
And we will feast in endless joy,
When Christ is ours forevermore.

The Pastoral Prayer is a time to express our gratitude for—and dependence on—God’s provision for the life and ministry of the Church.

PASTORAL PRAYER

Elder Mark Krieg

During the remainder of our worship service, preschool-aged children are welcome to stay with their parents in the Sanctuary, or will now be dismissed to attend Kids’ Bible Time.

CHILDREN’S DISMISSAL

WELCOME & ANNOUNCEMENTS

VISITING US?

We would love to know more about you and how to serve you. Please scan this QR code with your smartphone to let us know you came and so that we can follow-up with you.



All we have is given to us by God. Our offerings express this joyful dependence, and our commitment to join God in His work of renewal.

TITHES & OFFERINGS

FOR TEXT & ONLINE GIVING

Text dollar amount (e.g.: \$50) to 843-21
Give online through Church Center, at newcitypc.churchcenter.com/giving or by scanning the QR code.



Alternatively, A dropbox is available in the Welcome Area for cash or check offerings.



ALL

DOXOLOGY

Praise God From Whom All Blessings Flow

*Thomas Ken.
1551, Public Domain*

The word "doxology" comes from the Greek translation of the Old Testament word for worship. Throughout our service, we respond to the gospel of God's grace with songs of praise!

Praise God, from Whom all blessings flow;
Praise Him, all creatures here below;
Praise Him above, ye heavenly host;
Praise Father, Son, and Holy Ghost.
Amen.



ALL

PROFESSION OF FAITH

From Psalm 119:129-135

As a confessional church, we participate in the rich heritage of biblically faithful summaries which seek to build and strengthen our faith in Christ. Creeds, Confessions, and Catechisms serve us in this regard.

LEADER: Your testimonies are wonderful; therefore my soul keeps them.
The unfolding of your words gives light; it imparts understanding to the simple.

CONGREGATION: I open my mouth and pant, because I long for your commandments. Turn to me and be gracious to me, as is your way with those who love your name.

LEADER: Keep steady my steps according to your promise, and let no iniquity get dominion over me. Redeem me from man's oppression, that I may keep your precepts.

ALL: Make your face shine upon your servant, and teach me your statutes.



PRAYER OF ILLUMINATION

In anticipation of the proclamation of God's Word, we lift a prayer to God asking Him to speak to us through His living Word.



THE PROCLAMATION OF GOD'S WORD

When we hear the Word of God proclaimed and preached, we are listening to the voice of God. The Holy Spirit makes the inspired texts and spoken words the chief means of nourishing and comforting God's people, and awakening others to new faith.

Psalm 8 (ESV)

TO THE CHOIRMASTER: ACCORDING TO THE GITTITH. A PSALM OF DAVID.

¹ O LORD, our Lord,
how majestic is your name in all the earth!
You have set your glory above the heavens.
² Out of the mouth of babies and infants,
you have established strength because of your foes,
to still the enemy and the avenger.
³ When I look at your heavens, the work of your fingers,
the moon and the stars, which you have set in place,
⁴ what is man that you are mindful of him,
and the son of man that you care for him?
⁵ Yet you have made him a little lower than the heavenly beings
and crowned him with glory and honor.
⁶ You have given him dominion over the works of your hands;
you have put all things under his feet,
⁷ all sheep and oxen,
and also the beasts of the field,
⁸ the birds of the heavens, and the fish of the sea,
whatever passes along the paths of the seas.
⁹ O LORD, our Lord,
how majestic is your name in all the earth!

PREACHER
ALL

The grass withers, the flower fades,
But the Word of our God stands forever.



The Majesty Of God

MAIN IDEA: God's majesty is displayed, it exposes, and leads.

Is on display

Exposes our sin

Leads us to Jesus

Our response: Praise Him with our entire lives

THE SACRAMENT OF HOLY COMMUNION

Communion—also known as the Lord’s Supper—has always been a common, shared, joyous family meal. This meal is for those who have placed their faith in Jesus Christ; for those Baptized Christians who trust in His once-for-all sacrificial death upon the cross for their salvation. When we celebrate this feast, we commune with the risen Lord Jesus who stands as our host to offer spiritual nourishment, renewal and life. We also commune with one another, participating together in the reconciling grace of God.

We warmly welcome to the table all who trust in Jesus and who have publicly professed their faith as members of a Christian congregation. At New City, we ask our children not to take communion until they have met with the elders to share of their faith in Christ, although all children are invited to come forward to receive a blessing and a word of encouragement. If you are not a Christian, we encourage you to spend this time reflecting on the prayers below in the hopes that a relationship with Jesus and membership in His Church may be considered.

You will be directed to make your way to one of the four stations in our sanctuary where you will receive the bread and the wine (gluten-free cracker and grape juice available). Please take it back to your place so we can partake together.

**Jesus is truly and spiritually present and stands ready to feed you.
Come hungry. Come thirsty. Come ready to be filled.**

INDIVIDUAL PRAYERS FOR PRAYING DURING COMMUNION

PRAYER FOR THOSE SEARCHING FOR THE TRUTH

Lord Jesus, You claim to be the way, the truth and the life. If what You claim is true, please guide me, teach me, and open to me the reality of who You are. Grant that I might be undaunted by the cost of following You as I consider the reasons for doing so. Give me an understanding of You that is coherent, convincing, and that leads to the life that You promise. Amen.

PRAYER OF BELIEF

Lord Jesus, I admit that I am weaker and more sinful than I ever before believed, but through You, I am more loved and accepted than I ever dared to hope. I thank You for paying my debt, bearing my punishment on the cross and offering forgiveness and new life. Knowing that You have been raised from the dead, I turn from my sins and receive You as my Savior. Amen.

PRAYER OF HUMBLE ACCESS

I do not presume to come to Your table, O merciful Lord, trusting in my own goodness, but only in Your righteousness credited to me. I am not worthy so much as to gather up the crumbs under Your table. But You are the same Lord whose manner is always to show mercy. Grant me, O Lord, the grace to commune now with Christ by faith, that I may evermore live in Him and He in me. Amen.

The Call To Repentance is an invitation to privately examine and prepare our hearts to confess our sins.

CALL TO REPENTANCE

ALL

Because of the gospel, our relationship with God is a relationship in which honesty about our sin is welcome and safe. Therefore, with one voice, we are able to openly and sincerely confess our sins to Him.

CORPORATE PRAYER OF CONFESSION

Heavenly Father, you have made us in Your image; a little lower than the heavenly beings, and crowned with glory and honor, yet we have failed to live up to our true identity. As sin entered the world, it entered each of our own hearts, and has stained all our works. We confess our selfishness and self-centeredness, our lack of empathy for others, our boasting in vain works, and our foolish pride. Lord, forgive us and leads us in paths of righteousness, enabled by our Great Redeemer's atoning work on the cross. Amen.

MINISTER

God's Word assures us of our forgiveness in Christ, and we cannot but continue in praise to the grace, mercy, and peace offered to us.

ASSURANCE OF FORGIVENESS

Ephesians 1:7

⁷ In [Christ] we have redemption through his blood, the forgiveness of our trespasses, according to the riches of his grace

MINISTER

All who can examine themselves regarding their faith and participation in Christ, are invited to participate in the Lord's Table.

INVITATION TO THE TABLE

MINISTER

This prayer is offered to set apart the bread and the wine as holy, for the purpose of nourishing us spiritually through our communion with Christ

PRAYER OF CONSECRATION

HYMN AT THE TABLE

Jesus, I My Cross Have Taken

*Henry Francis Lyte.
1825, Public Domain*

Jesus, I my cross have taken
All to leave and follow Thee
Destitute, despised, forsaken
Thou from hence my all shall be
Perish every fond ambition
All I've sought or hoped or known
Yet how rich is my condition!
God and heaven are still my own

Soul, then know thy full salvation
Rise o'er sin and fear and care
Joy to find in every station
Something still to do or bear
Think what Spirit dwells within thee
Think what Fathers smiles are thine
Think that Jesus died to win thee
Child of heaven, canst thou repine

Let the world despise and leave me
They have left my Savior, too
Human hearts and looks deceive me
Thou art not, like them, untrue
O while Thou dost smile upon me
God of wisdom, love, and might
Foes may hate and friends disown me
Show Thy face and all is bright

Haste thee on from grace to glory
Armed by faith, and winged by prayer
Heavens eternal days before thee
Gods own hand shall guide us there
Soon shall close thy earthly mission
Soon shall pass thy pilgrim days
Hope shall change to glad fruition
Faith to sight, and prayer to praise

Go, then, earthly fame and treasure
Come disaster, scorn and pain
In Thy service, pain is pleasure
With Thy favor, loss is gain
I have called Thee Abba Father
I have stayed my heart on Thee
Storms may howl, and clouds may gather
All must work for good to me

MINISTER

The Words of Institution
echo Jesus' words at
the Last Supper, now
inviting us to partake of
the Bread and Wine in
remembrance of Him.

WORDS OF INSTITUTION AND PARTAKING OF THE BREAD & WINE



SENDING HYMN

Jesus Shall Reign

Isaac Watts.
1719, Public Domain

Jesus shall reign wherever the sun
Does its successive journeys run;
His kingdom stretch from shore to shore,
Till sun shall rise and set no more.

Blessings abound wherever He reigns:
The prisoner leaps to lose his chains,
The weary find eternal rest,
And all the sons of want are blest.

*He shall reign in glory, crowned with grace and might.
Bless His name and praise the sovereign King.
He shall reign forever with His chosen bride;
All the earth shall sing that Jesus is the King!*

Where He displays His healing power
Death and the curse are known no more;
In Him the tribes of Adam boast
More blessings than their father lost.

Let every creature rise and bring
Blessing and honor to our King;
Angels descend with songs again,
And earth repeat the loud Amen!

BENEDICTION

Our gathered worship service concludes with God's blessing; a joyful declaration of God's satisfaction in us through Jesus Christ, and a vow to be in fellowship with us as we scatter.

BUILDING MAP

3

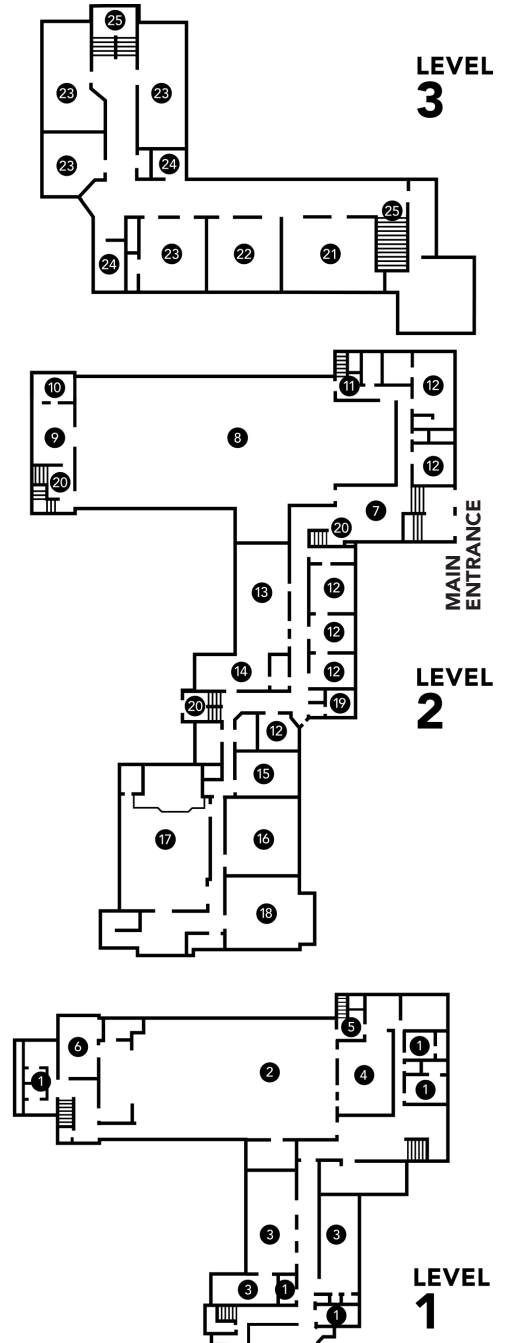
- 21 CONFERENCE ROOM
- 22 GRIFFIN WORKSPACE
- 23 STAFF OFFICES
- 24 RESTROOMS
- 25 STAIRS

2

- 7 WELCOME AREA
- 8 SANCTUARY
- 9 PINECREST LOBBY
- 10 CRYROOM
- ♿ 11 ELEVATOR
- 12 NURSERY
- 13 FIREPLACE ROOM
- 14 GARDEN ROOM
- 15 NC STUDENTS CAFE
- 16 NC STUDENTS REC ROOM
- 17 CHAPEL
- 18 DRAYTON ROOM
- ♿ 19 RESTROOMS
- 20 STAIRS

1

- 1 RESTROOMS
- 2 GATHERING PLACE
- 3 NC KIDS
- 4 KITCHEN
- 5 ELEVATOR
- 6 BACKSTAGE ROOM



PASTORAL NEEDS

New City Elders
session@newcitypc.org

FAMILY & STUDENT MINISTRY

Matt Luchenbill
matt.luchenbill@newcitypc.org

NEW CITY KIDS

Brigitte Bailey
brigitte.bailey@newcitypc.org

NURSERY & TODDLERS

Angela Wood
angela.wood@newcitypc.org

WORSHIP, MEDIA, & COMMUNICATIONS

Javier Contesse
javier.contesse@newcitypc.org

SUNDAY OPERATIONS

Eric Bonner
eric.bonner@newcitypc.org

OFFICE & FINANCIAL NEEDS

Tracy Reynolds
tracy.reynolds@newcitypc.org

EVENTS NEEDS

Amanda Heverly
amanda.heverly@newcitypc.org

CCLI LICENSE

#11108317

WIFI PASSWORD

NewCity2022!

Visit our website at:

NEWCITYPC.ORG

CONTACT NEW CITY

(248) 808-2523
2441 Pinecrest Dr.
Ferndale, MI 48220
info@newcitypc.org

New City News is our weekly email newsletter.

Subscribe to receive the latest news at

newcitypc.org/subscribe

Sign-up to receive our text notifications,

tex **newcitytexts** to 97-000.

Find us on Facebook, Instagram, and YouTube

under the **@newcitypc** handle.



VISITING US?

Thank you for spending some time with us and getting to know us first-hand! We are excited to finally be in our property and in this season of transition into our beautiful new building. We would love to know more about you and how to serve you. Please scan this QR code with your smartphone to let us know you came and so that we can follow-up with you.



SMALL GROUPS

Small Groups are New City's main avenue for cultivating relationships in Christ, and experiencing the deepest blessings of what it means to be in community. For more information scan QR code or visit: **newcitypc.org/smallgroups**



NEED PRAYER?

Our Prayer ministry team seeks to undergird and strengthen New City's congregation, mission, and ministries through prayer. Please let us know how we can pray for you!

